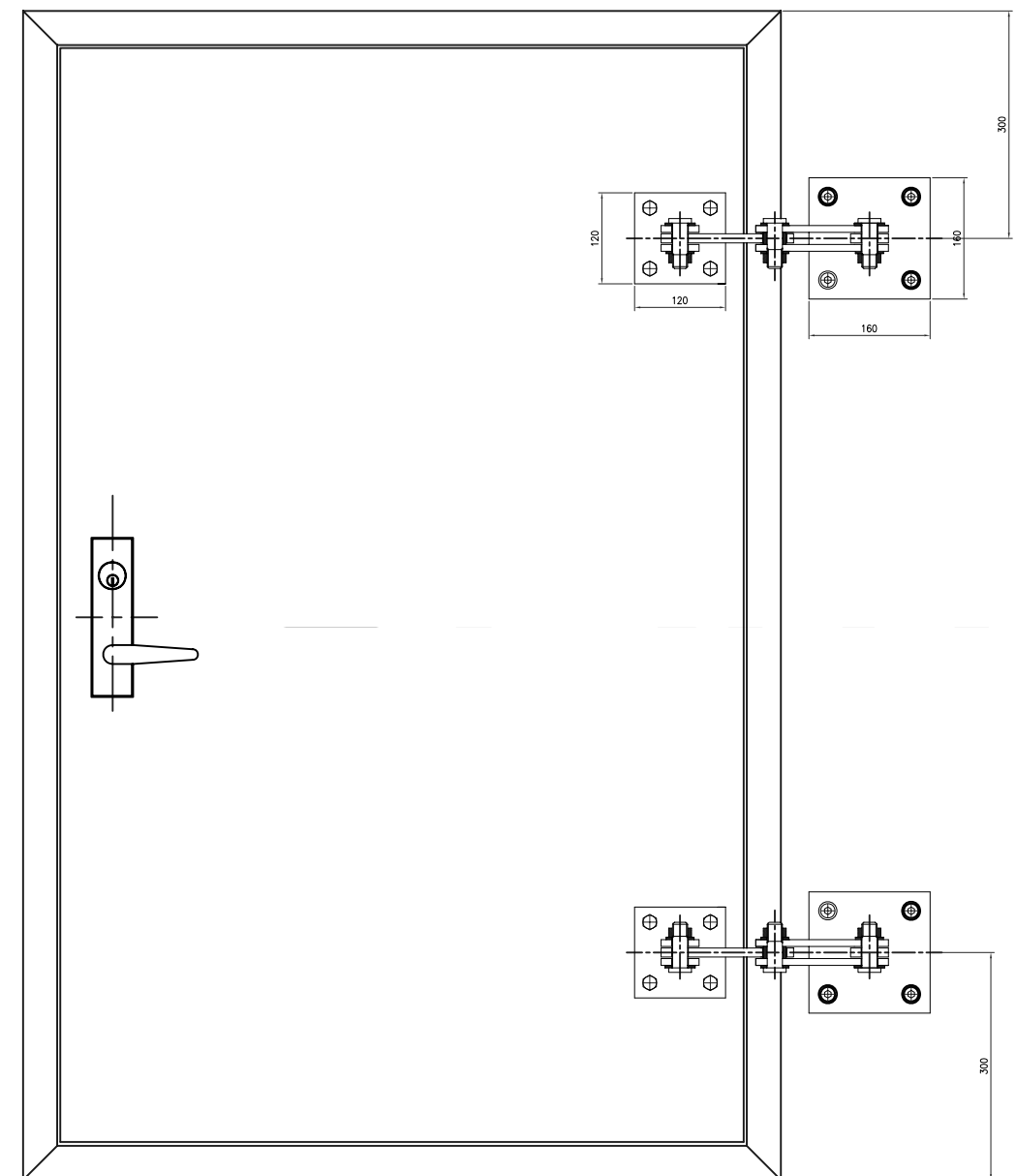
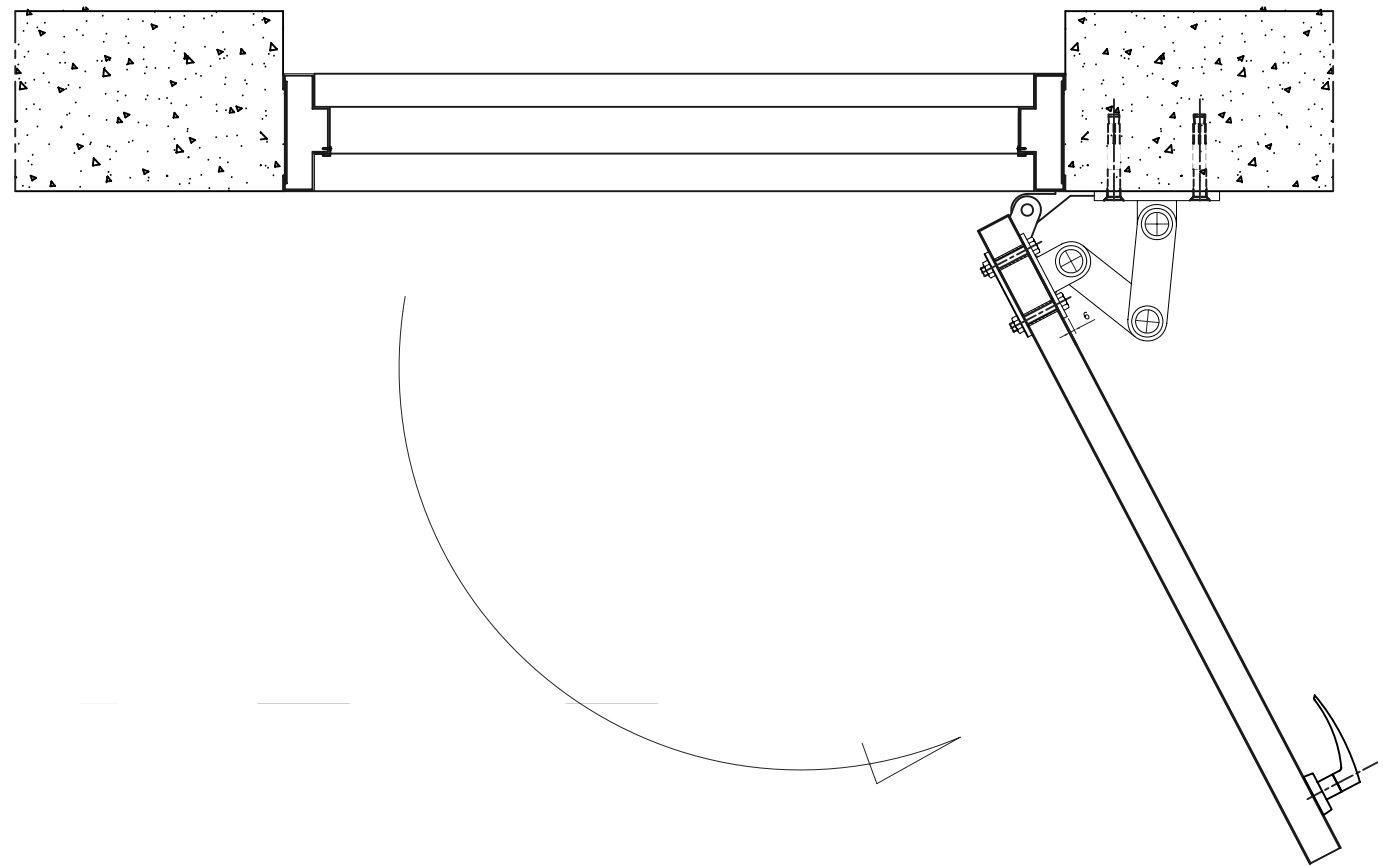
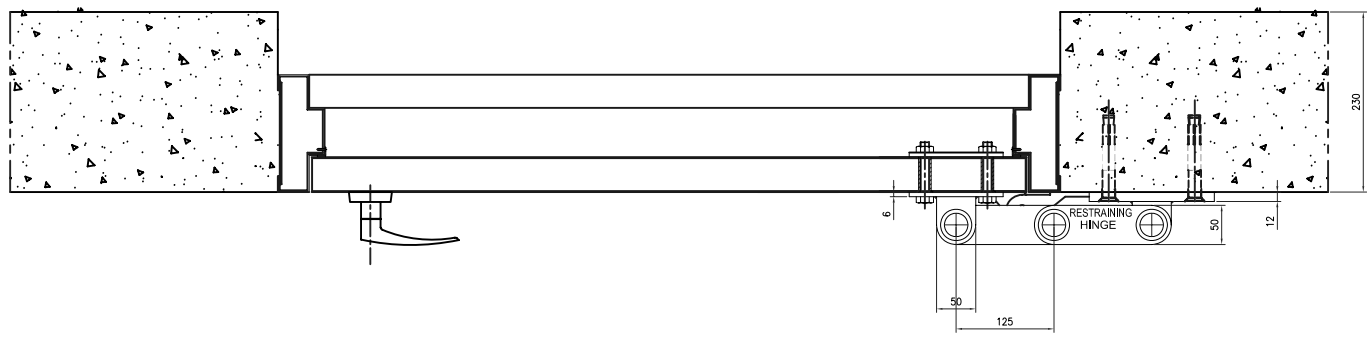


BILL OF MATERIALS				
NO.	DESCRIPTION	SIZE	Q'TY	MAT'L

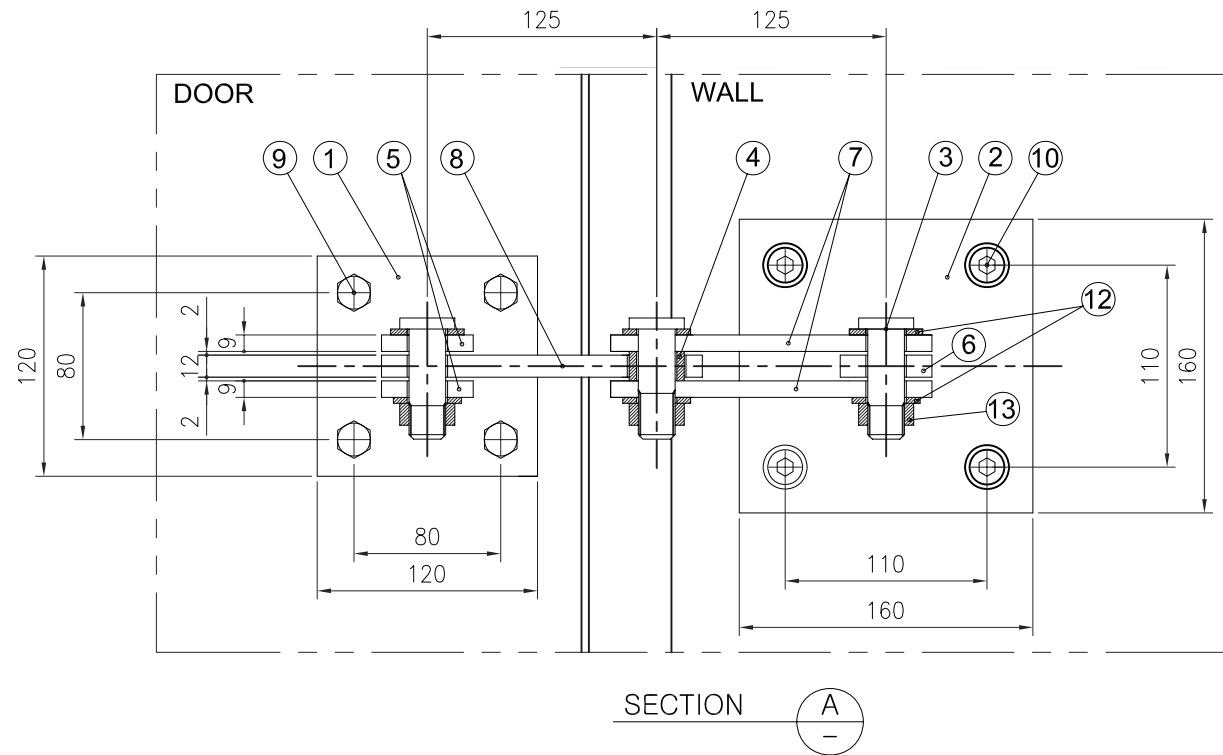
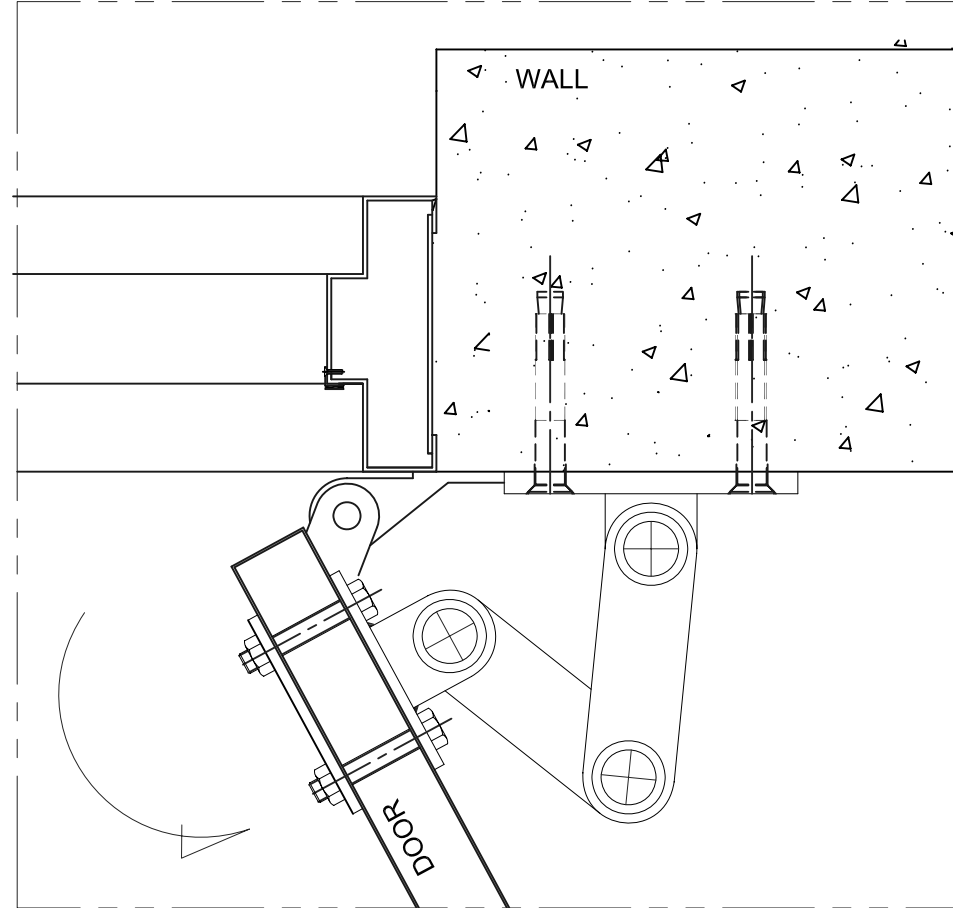
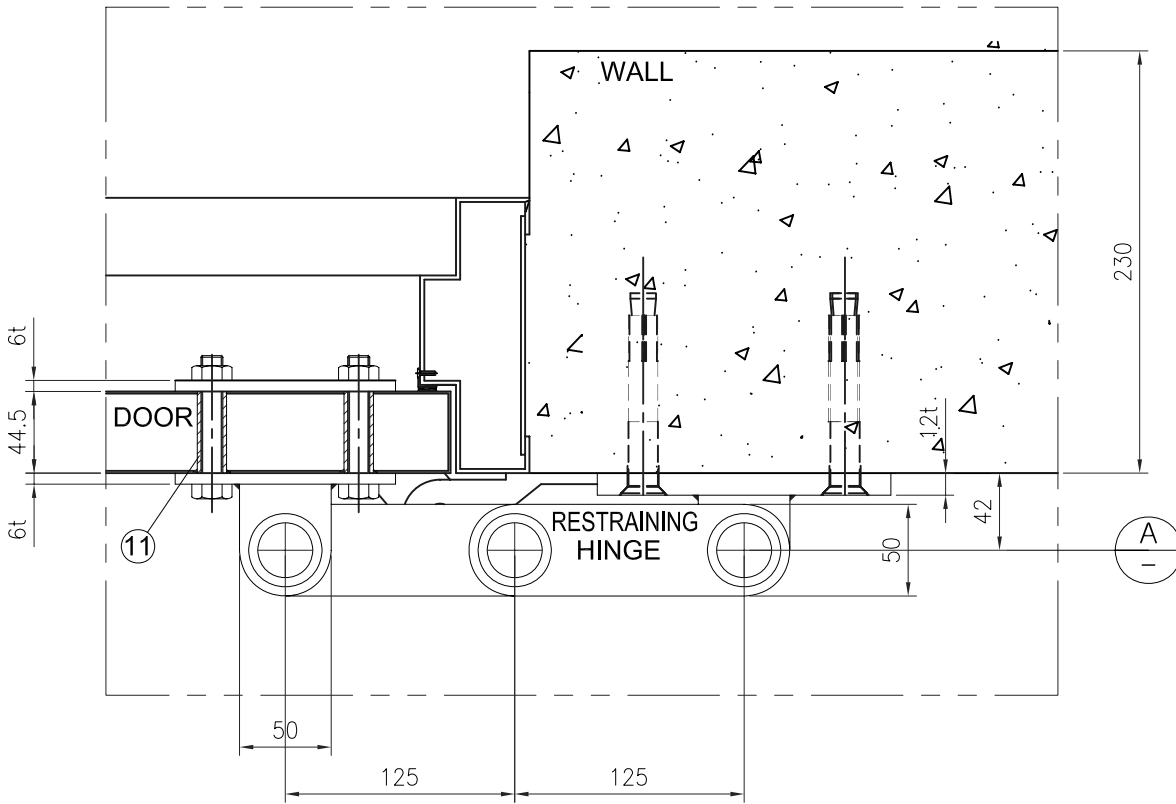


0	12 MAR 2008	ISSUED FOR DRAWING	H.J.YOUN	S.K.JUNG	J.S.MOO	
REV.	DATE	DESCRIPTION	PREPARED	REVIEWED	APPROVED	APPROVED



SAMHOON SAMHOON CO., LTD.
 2507-1 Sangnam-Dong, Seon-Du, Bucheon City, Gyeonggi Province, Korea
 TEL: (82)-32-861-3001 / FAX: (82)-32-861-3005
 http://www.samhoon.com E-mail:samhoon@skid.net

CLASS	TITLE	
0	RESTRAINING HINGE ASS'Y-1	
SCALE	PNS :	
SIZE	DWG. NO.	
A1		
UNIT	REF. DWG. NO. :	REV : 0
0		
SUPPLIER DWG. NO. :		SUPPLIER NAME :
SH08-KRCC-RH-001		SAMHOON



BILL OF MATERIALS

NO.	DESCRIPTION	SIZE	Q'TY	MAT'L
1	DOOR FLANGE	120X120X6	2	A36
2	FRAME FLANGE	160X160X12	1	A36
3	NUCKLE SHAFT	∅30X66	3	S45C
4	PIN BUCH	∅30X16	1	S45C
5	DOOR FLANGE NUCKLE	50X61X9	2	A36
6	FRAME FLANGE NUCKLE	50X61X12	1	A36
7	FRAME LINK BAR	175X50X9	2	A36
8	DOOR LINK BAR	175X50X12	1	A36
9	HEX BOLT	M12X70	4	-
9	HEX NUTE	M12	4	-
10	ANCHOR BOLT	M12X123	4	-
11	DOOR RIB PIPE	∅16(∅13)x44.5	4	S45C
12	WASHER	ID 30	8	-
13	HEX NUTE	M20	4	-

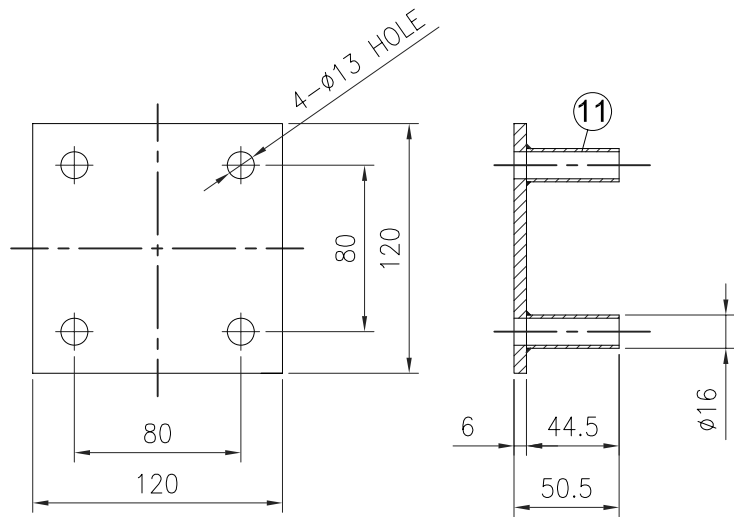
- * Coating process
 1) Primer : Zink Hot Dip Coat(Zn)
 2) Fimish : Polyurethane paint

0	12 2008	ISSUED FOR DRAWING	H.J.YOUN	S.K.JUNG	J.S.MOO	
REV.	DATE	DESCRIPTION	PREPARED	REVIEWED	APPROVED	APPROVED

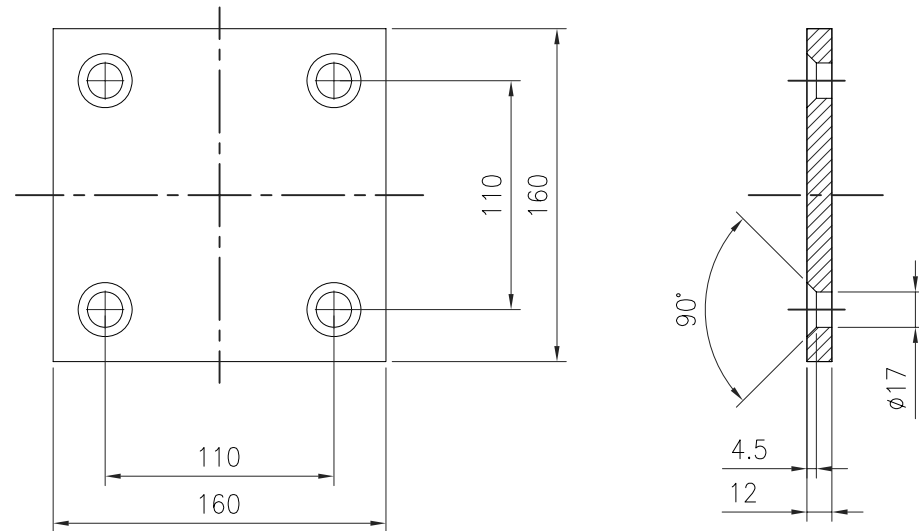


CLASS	TITLE	
0	RESTRAINING HINGE ASS'Y-2	
SCALE	PNS :	
1/1		
SIZE	DWG. NO. :	
A1		
UNIT	REF. DWG. NO. :	REV : 0
0		
SUPPLIER DWG. NO. :	SUPPLIER NAME :	
SH08-KRCC-RH-002	SAMHOON	

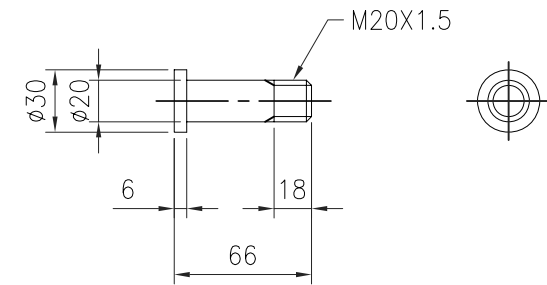
1	DOOR BLOCK	120X120X6	2	A36
---	------------	-----------	---	-----



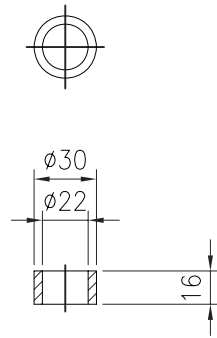
2	FRAME BLOCK	160X160X12	1	A36
---	-------------	------------	---	-----



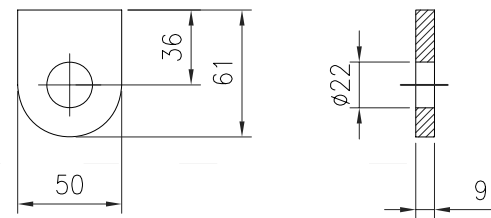
3	PIN	ø30X66	3	S45C
---	-----	--------	---	------



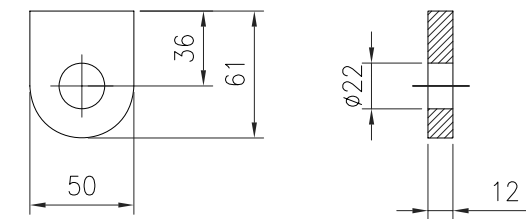
4	PIN BUCH	ø30X16	1	S45C
---	----------	--------	---	------



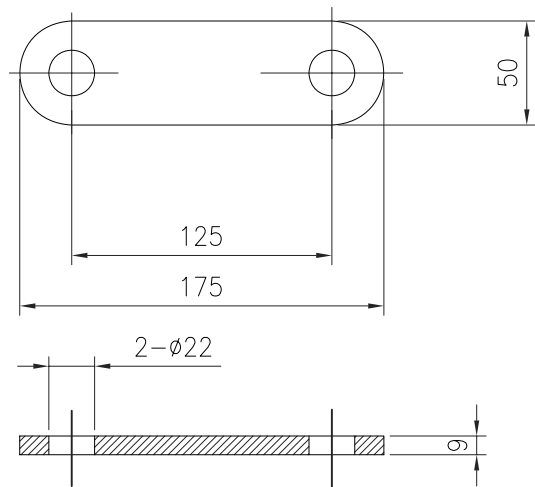
5	DOOR BLOCK B	50X61X9	2	A36
---	--------------	---------	---	-----



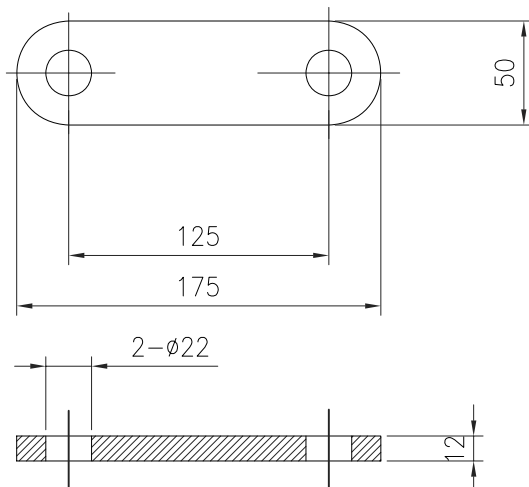
6	FRAME BLOCK B	50X61X12	1	A36
---	---------------	----------	---	-----



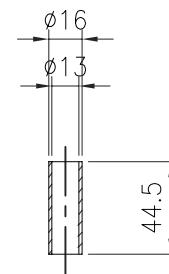
7	BAR	175X50X9	2	A36
---	-----	----------	---	-----



8	BAR	175X50X12	1	A36
---	-----	-----------	---	-----



11	DOOR PIPE	ø16(ø13)x44.5	4	S45C
----	-----------	---------------	---	------



0	12 MAR 2008	ISSUED FOR DRAWING	H.J.YOUN	S.K.AUNG	J.S.MOO	
REV.	DATE	DESCRIPTION	PREPARED	REVIEWED	APPROVED	APPROVED

KRCC K R COPOLYMER CO., LTD.
YOUS, KOREA

SAMHOON SAMHOON CO., LTD.
2507-1 Sangnam-Dong, Seon-Do, Bucheon City, Gyeonggi Province, Korea
TEL: (82)-32-861-3001 / FAX: (82)-32-861-3005
http://www.samhoon.com E-mail:samhoon@skid.net

CLASS	TITLE
0	RESTRAINING HINGE DETAILS
SCALE	PNS :
SIZE	DWG. NO. :
A1	
UNIT	REF. DWG. NO. : REV : 0
0	

SUPPLIER DWG. NO. : SH08-KRCC-RH-003 SUPPLIER NAME : **SAMHOON**