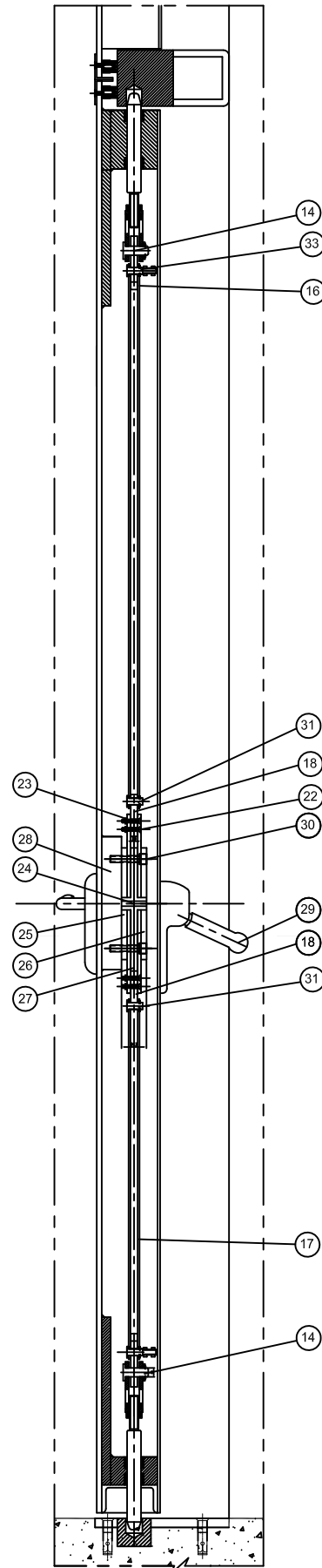
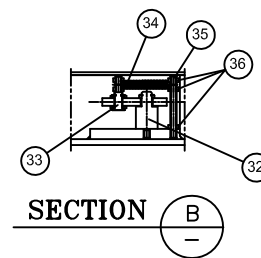


LOCKING DEVICE ASS'Y



SECTION A



SECTION B

BILL OF MATERIALS

NO.	MK	DESCRIPTION	LENGTH	Q'TY	MAT'L	AREA(m ²)		REMARKS
						UNIT	TOTAL	
1		LATCH PIN	∅25X240	2	SCM5			
2		LATCH PIN BUSH	∅35X20	4	BR [∞]			
3		FRAME LATCH BLOCK	100X140X100	1	A36			
4		DOOR LATCH BLOCK	350X140X16	1	A36			
			105X140X84	1	A36			
5		DOOR LATCH BLOCK	300X140X16	1	A36			
			50X140X84	1	A36			
			60X60X50	1	A36			
6		FRAME LATCH BLOCK	60X60X50	1	A36			
7		LATCH PIN	∅25X108	1	SCM5			
8		DOOR LATCH BLOCK	100X60X25	1	A36			
9		DOOR LATCH BLOCK	60X72X50	1	A36			
10		LATCH PIN BUSH	∅35X25	1	BR [∞]			
11		NUTE	M16	4	-			
12		LATCH GUIDE	76.2X31X90.4	2	S45C			
13		BAR GUIDE	98.64X86.03X12	2	S45C			
			∅18X12	2	-			
			∅14X12	2	-			
14		BAR GUIDE PIN	∅30X45	2	S45C			
			∅30X4	2	S45C			
			∅23X1.2	2	S45C			
			∅20X33	1	S45C			
15		BAR GUIDE PIN	∅19X1.2	1	S45C			
16		BAR	943X25X3.2	2	S45C			
17		BAR	613X25X3.2	2	S45C			
18		BAR	75X25X12	2	S45C			
19		BAR	25X92.5X6	2	S45C			
20		BAR	25X144.5X6	2	S45C			
			25X144.5X6	2	S45C			
21		BAR PIN	∅16X25	3	S45C			
22		Dish head BOLT	M6	4	-			
23		NUTE	M6	4	-			
24		GEAR	∅150x44	1	S45C			
25		GEAR GUIDE	200X175X16	1	S45C			
			GEAR GUIDE BUSH(DU)	∅25X15	1	-		
26		GEAR GUIDE	200X175X16	1	S45C			
			GEAR GUIDE BUSH(DU)	∅25X15	1	-		
27		GEAR GUIDE	200X175X16	1	S45C			
28		GEAR GUIDE	240X175X35.5	1	A36			
29		DEVICE		1	-			
30		Sodium hole paste BOLT	M12	4	-			
31		BAR GUIDE PIN	∅20X28	2	S45C			
			∅19X1.2	2	S45C			
			∅24X73	2	S45C			
32		DOOR LATCH BLOCK PIN	∅24X4	2	S45C			
			∅23X1.2	2	S45C			
			∅20X53	2	S45C			
33		BAR GUIDE PIN	∅19X1.2	2	S45C			
34		SPRING	∅12.5(0.9)X76	2				
35		BOLT	M10X98	2				
36		NUTE	M10X6	10				

REV.	DATE	DESCRIPTION	PREPARED	REVIEWED	APPROVED	APPROVED

SAMHOON SAMHOON CO., LTD.
 #507-1 Songpa2-Dong, Seon-Gu, Bucheon City, Gyeonggi Province, Korea
 TEL:(82)-32-661-3501/FAX:(82)-32-661-3505
 http://www.samhoon.com E-Mail:samhoon@chol.net

CLASS TITLE
 0
 SCALE 1/1
 SIZE A1
 UNIT 0
 SUPPLIER DWG. NO. :
 SUPPLIER NAME : **SAMHOON**

REF. DWG. NO. :
 REV : 0
LOCKING DEVICE ASS'Y