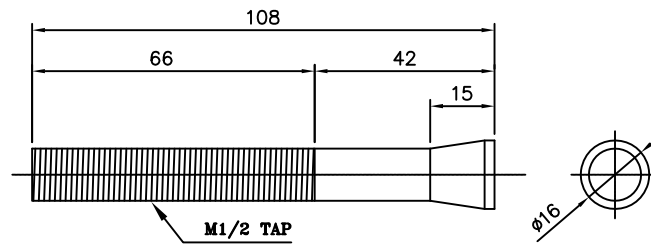
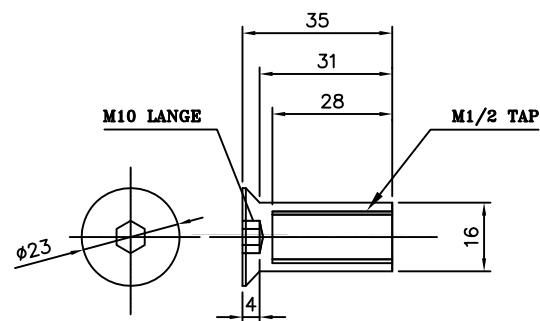


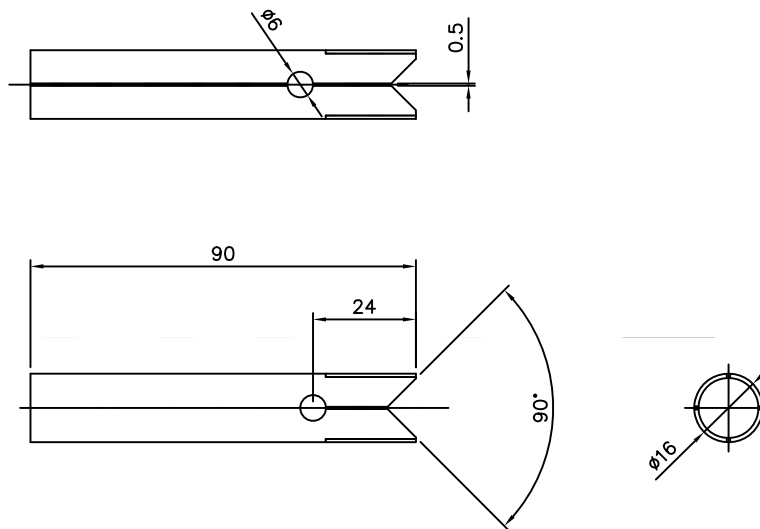
FRAME ANCHOR BOLT
 $\phi 16 \times 115L$



① **FRAME ANCHOR BOLT (M12X88L)**



③ **NUT**



② **SET ANCHOR $\phi 16$**

SAMHOON ENGINEERING CO.,LTD.

SAMHOON

SAMHOON CO., LTD.
 #561 Songne-Dong, Sosa-Gu,
 Bucheon City, Gyeonggi Drovince, Korea
 TEL: (82)-32-661-3501 / FAX: (82)-32-661-3505
 http://www.samhoon.com E-Mail: samhoon@samhoon.com

REV	DATE	DESCRIPTION	BY	CHKD	APPRD	REFERENCE DRAWINGS	CAD FILE REF.	SHEET NO.	SCALE
							ARIFJAN, KUWAIT PROJECT NO.22	SAMHOON- 008	1 : 1
△	24.AUG.22	ISSUED FOR DRAWING	S.H.KIM	J.S.KIM	J.S.M00				

TITLE : UOQ- UNACCOMPANIED OFFICERS QUARTERS
 BLAST & FIRE RATE DOOR(75 kPa, 2 hr)

FRAME ANCHOR BOLT